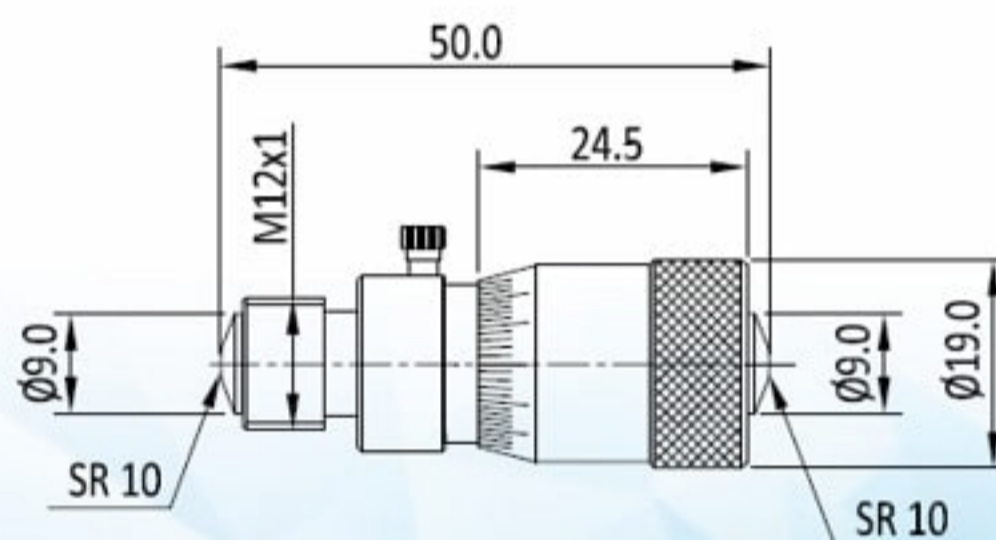




**Salient Features:**

- Carbide measuring faces
- Spindle made from stainless steel
- Sharp Laser Marking for better visibility & durability
- Extended measuring range
- Robust design



Type	Measuring Range (mm)	Reading (mm)	Extension Rods
MMT150	50-150	0.010	3 [13 mm, 25 mm, 50 mm]
MMT300	50-300	0.010	5 [13 mm, 25 mm, 50 mm (2 Nos.), 100 mm]
MMT500	50-500	0.010	6 [13 mm, 25 mm, 50 mm (2 Nos.), 100 mm, 200 mm]
MMT1000	50-1000	0.010	8 [13 mm, 25 mm, 50 mm (2 Nos.), 100 mm, 200 mm (2 Nos.), 300 mm]
MMT1500	50-1500	0.010	10 [13 mm, 25 mm, 50 mm (2 Nos.), 100 mm, 200 mm (3 Nos.), 300 mm (2 Nos.)]

## BAKER GAUGES INDIA PRIVATE LIMITED

An ISO 9001 : 2015 Company

Head Office-Pune

Tel. : (020) 66250600

Mob. : 7447449621

E-mail : bakerhip@bakergauges.com

Tel. : (020) 66093800

Mob. : 7447438251

E-mail : bakerbmi@bakergauges.com

**Branch Offices :**

Mumbai Tel. (022) 43471701 / 02 / 03

New Delhi Tel. (011) 23328186

Chennai Tel. (044) 28140963

Bangalore Tel. (080) 22217336

Ahmedabad Tel. (079) 27540665

Indore

Rajkot

Kolkata Tel. (033) 22156387

Chandigarh Tel. (0172) 4631027

Ludhiana

Hyderabad

Nashik

Jamshedpur

Coimbatore

• Mob. 7400199752

• Mob. 9810160313

• Mob. 7550055245

• Mob. 7618720651

• Mob. 7435041140

• Mob. 7447438257

• Mob. 7435041142

• Mob. 7447444980

• Mob. 9815601027

• Mob. 7447444098

• Mob. 7447443439

• Mob. 7447438256

• Mob. 7447444978

• Mob. 9884480963

• E-mail : bakermum@bakergauges.com

• E-mail : bakerdlh@bakergauges.com

• E-mail : bakerche@bakergauges.com

• E-mail : bakerblr@bakergauges.com

• E-mail : bakerbar@bakergauges.com

• E-mail : bakermp@bakergauges.com

• E-mail : bakerrajkot@bakergauges.com

• E-mail : bakercal@bakergauges.com

• E-mail : bakerchd@bakergauges.com

• E-mail : bakerldh@bakergauges.com

• E-mail : bakerhyd@bakergauges.com

• E-mail : baker\_nsk@bakergauges.com

• E-mail : bakercal@bakergauges.com

• E-mail : bakerche@bakergauges.com

