



Digital Plunger type

WATERPROOF-IP67

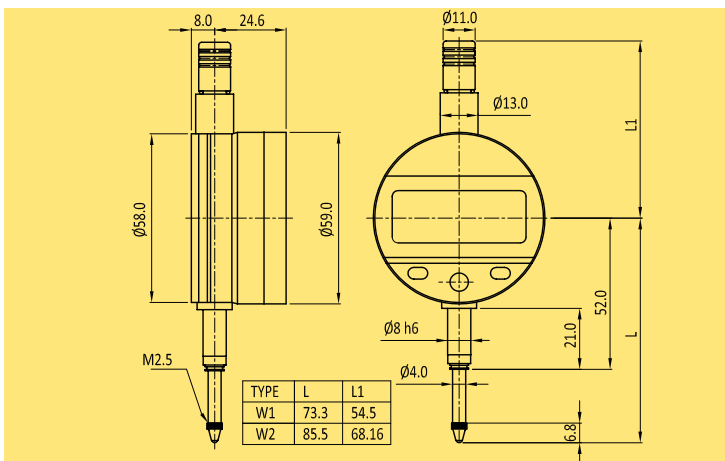


W1

IP67 SWISS TECHNOLOGY

W2

TYPE	W1	W2
Reading	0.001 mm 0.00005 Inch	0.001 mm 0.00005 Inch
Range	0 – 12.5 mm 0 – 0.5 Inch	0 – 25 mm 0 – 1 Inch
Accuracy	0.003 mm	0.004 mm
Repeatability	± 0.002 mm 0.0001 Inch (± 2s)	± 0.002 mm 0.0001 Inch (± 2s)
Measuring Force	0.65 – 0.9 N	0.65 – 1.15 N
Weight	90 g	94 g



FEATURES

- Rotating display (270 degrees) with extra large digits for excellent visibility
- Accurate Inductive measuring system
- Inch / Metric capability
- Robust Construction
- New technology with configurable menus.
- Broad Choice of Menus (MIN / MAX / DELTA, TOL, Factor, PRESET, AUTO OFF etc.)
- Automatic wake-up and sleep mode
- RS232 data output
- Hardened and ground stainless steel plunger and stem
- GAUGE can be set to 0.01 mm / 0.0005 Inch, besides the standard 0.001 mm / 0.00005 Inch
- Each GAUGE carries a calibration certificate giving actual values

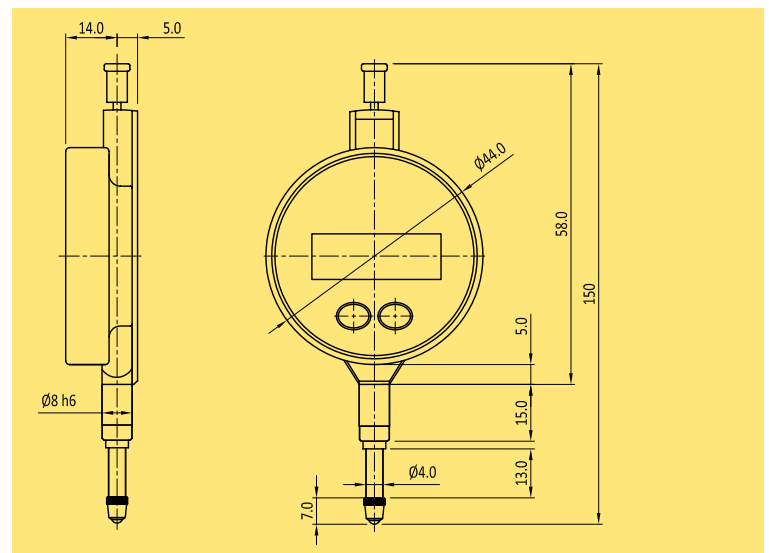
WATERPROOF-IP65



MD001

IP65 SWISS TECHNOLOGY

Type	Reading	Range
MD001	0.001 mm / 0.00005 in.	0-12.5 mm (0-0.5 in.)



FEATURES

- Accurate Inductive measuring system
- Inch / Metric capability
- RS232 output
- Hardened and ground stainless steel plunger and stem
- GAUGE can be set to 0.01 mm / 0.0005 Inch, besides the standard 0.001 mm / 0.00005 Inch
- The Electronic Module is completely sealed against dust and water / coolants / lubricating oils directed towards it from all sides (IP 65)
- Each GAUGE carries a calibration certificate giving actual values
- Measuring force 0.5-0.9 N
- Accuracy 0.005 mm / 0.0002 in
- Repeatability ± 0.002 mm / 0.0001 in (± 2s)