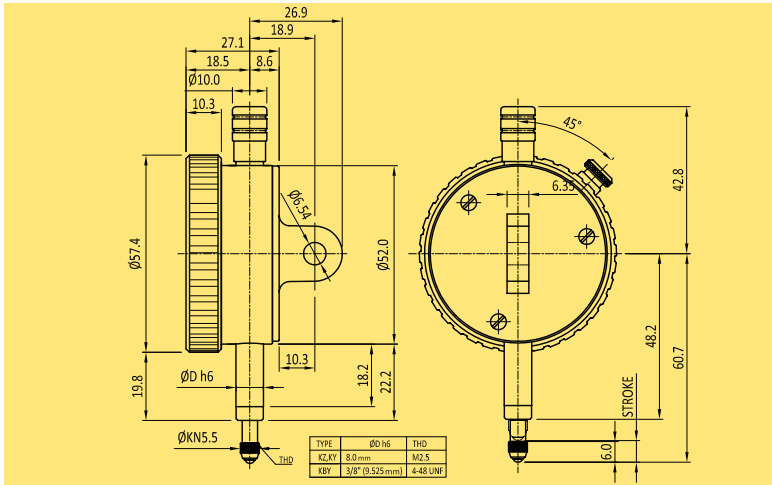


Mechanical Plunger type

MODEL 56 | ONE REVOLUTION



KZ



METRIC

Bezel dia.	Type	Reading	Range	Graduation
56mm	KZ	0.01mm	0.8 mm	40-0-40

INCH

Bezel dia.	Type	Reading	Range	Graduation
56mm	KY	0.001 "	0.08 "	40-0-40

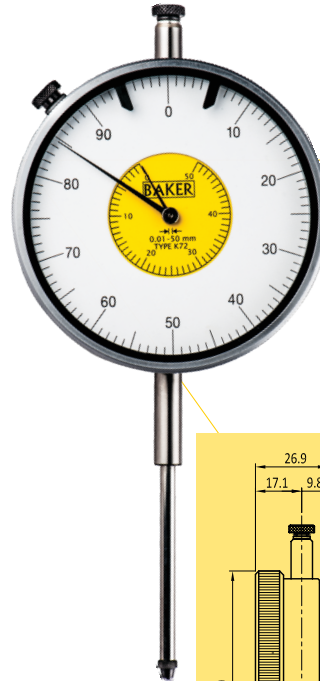
ANSI (AGD)

Bezel dia.	Type	Reading	Range	Graduation
2 1/4"	KBY	0.001 "	0.08 "	40-0-40

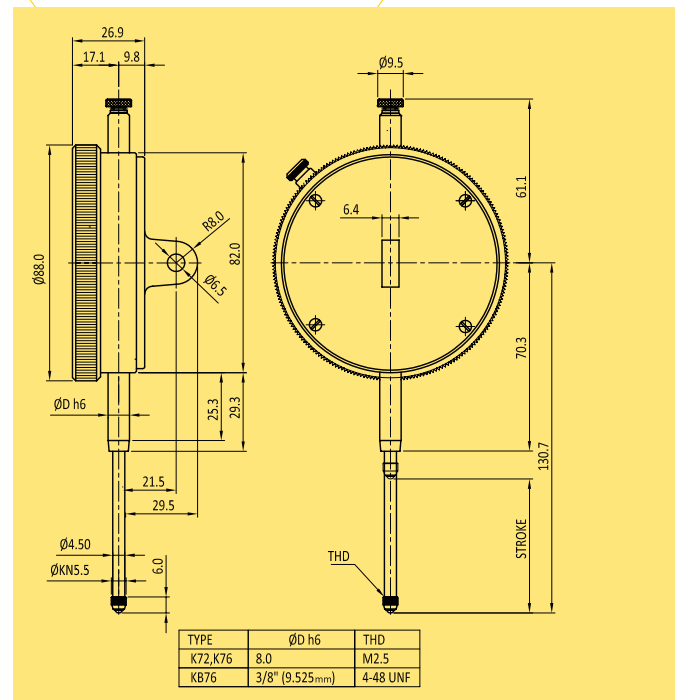
FEATURES

- Specification: IS, DIN, ANSI & JIS
- The one revolution dial gauge eliminates reading errors due to multiple revolutions
- Shock proof mechanism to absorb shock due to sudden spindle impact
- Every gauge carries a calibration certificate giving actual values
- Hardened stem for trouble free clamping
- Spindle made of stainless steel
- Fitted with tungsten carbide ball anvil
- Rigid brass case for increased rigidity
- Strong and smooth metal bezel
- Supplied with tolerance pointers
- Aesthetically appealing protective top cap in black colour
- Special dial Gauges for OEMs also manufactured on request

MODEL 88



K72



METRIC

Bezel dia.	Type	Reading	Range	Graduation
88mm	K72	0.01 mm	50.0mm	0-100

INCH

Bezel dia.	Type	Reading	Range	Graduation
88mm	K76	0.001 "	2.0 "	0-100

ANSI (AGD)

Bezel dia.	Type	Reading	Range	Graduation
3 7/16"	KB76	0.001 "	2.0 "	0-100